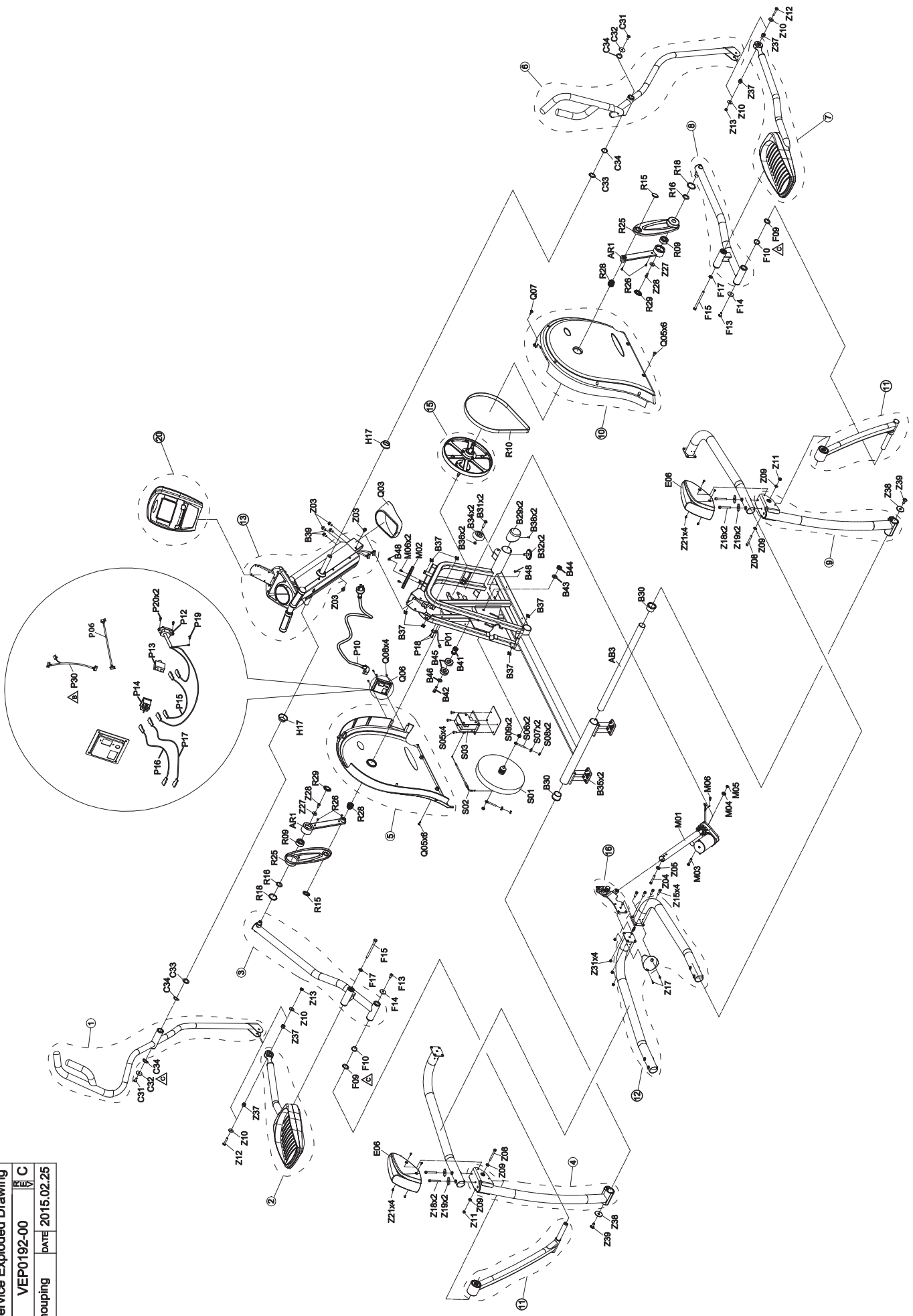
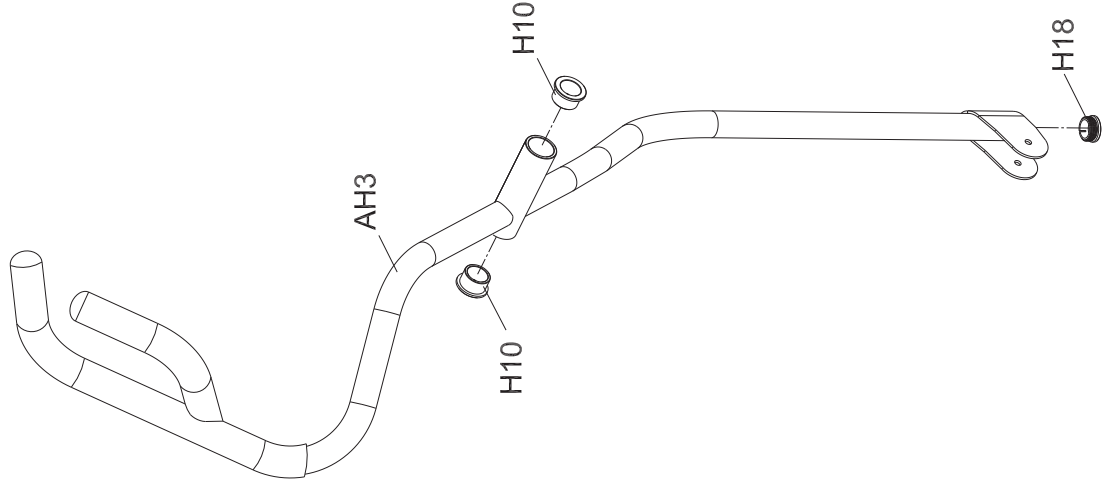


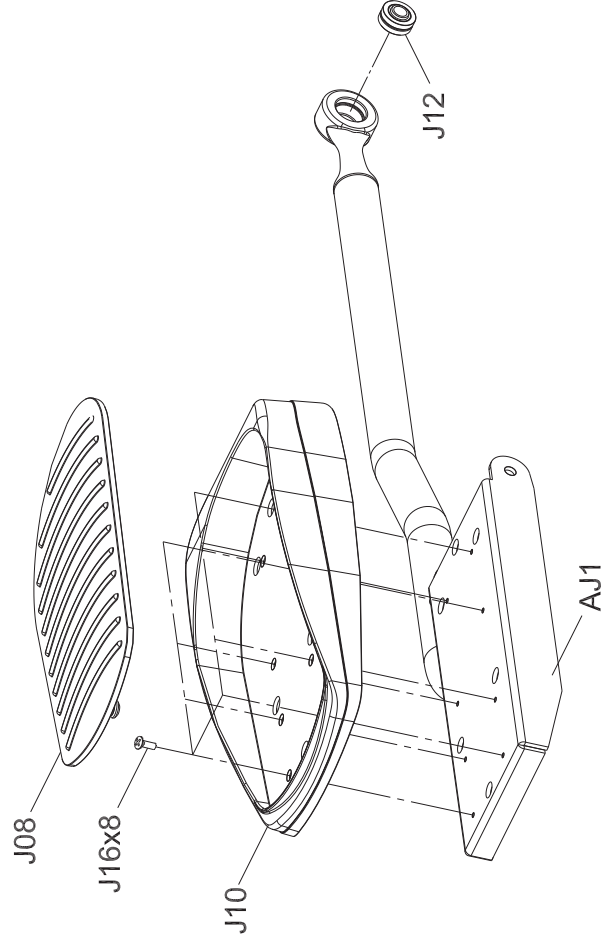
DRAWING NO	PEP271C-1US
PART NAME	Service Exploded Drawing
PART NO	VEP0192-00
APPROVE	zhoupng
DATE	2015.02.25



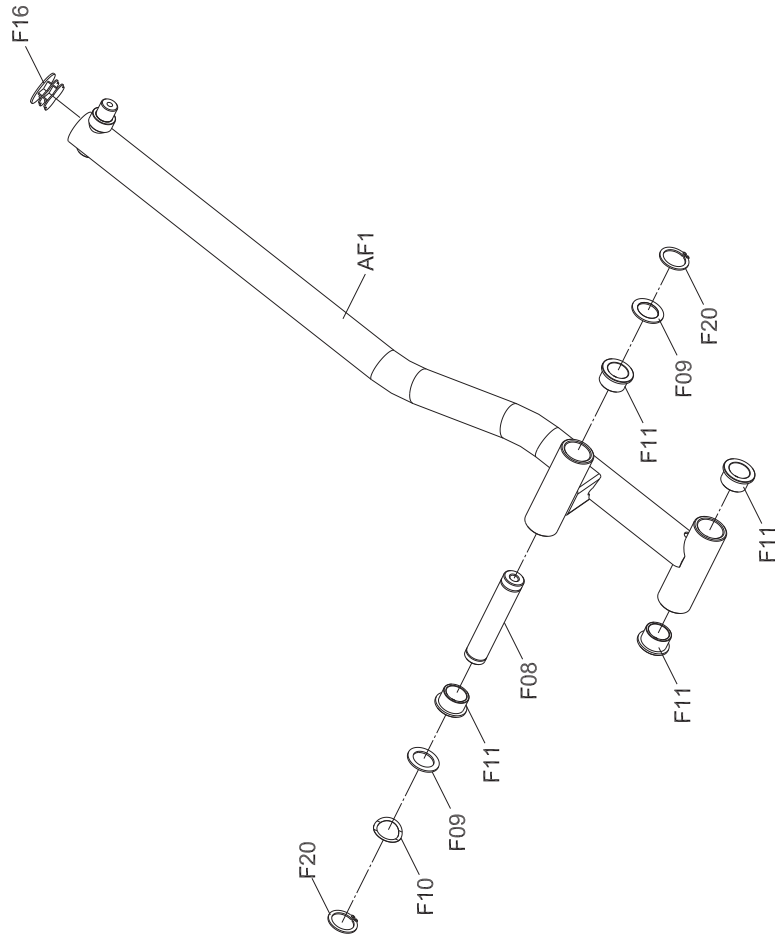
DRAWING NO	EP213-A38	
PART NAME	Left Handlebar Set	
PART NO	1000107813	REV A
APPROVE	DATE	



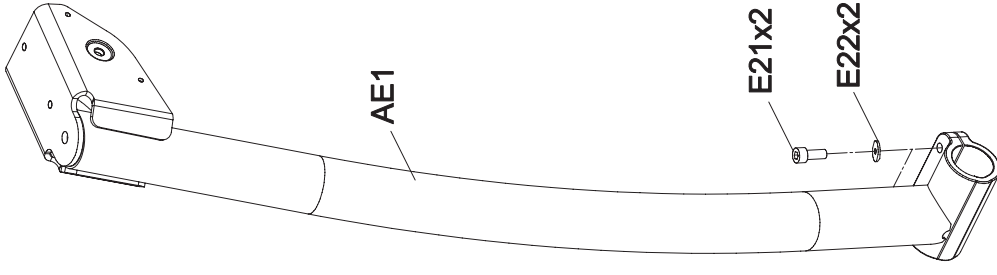
DRAWING NO	EP213-A39		
PART NAME	Left Lower Link Arm Set		
PART NO	1000107814	REV	A
APPROVE		DATE	



DRAWING NO	EP213-A41		
PART NAME	Left Pedal Arm Set		
PART NO	1000107816	REV	A
APPROVE		DATE	



DRAWING NO	EP213-A44	
PART NAME	Left Incline Arm	
PART NO	1000107819	REV A
APPROVE	DATE	2013.09.09



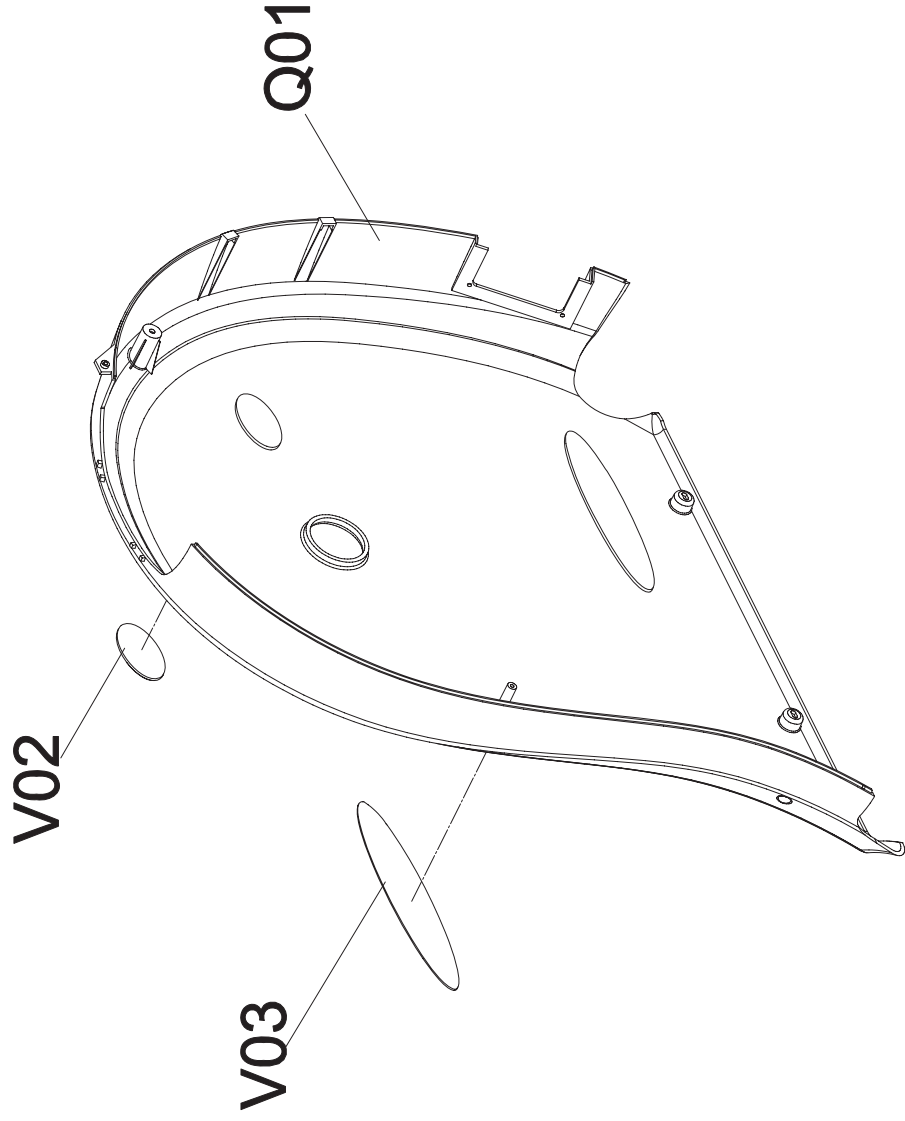
EP271C-A13

Left Side Cover Set

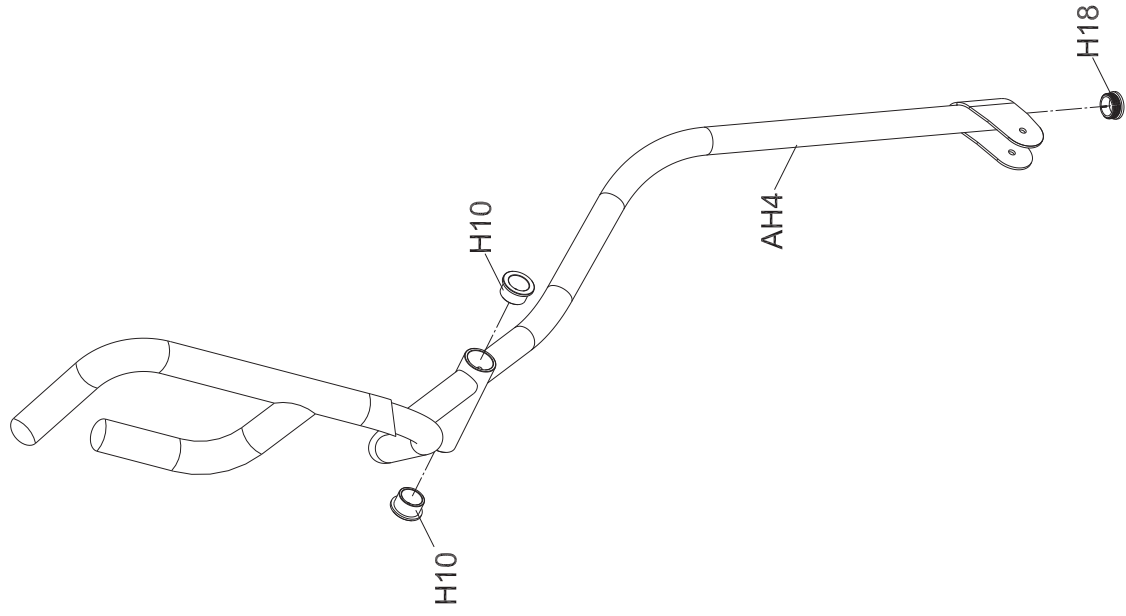
1000332439

REV  
A

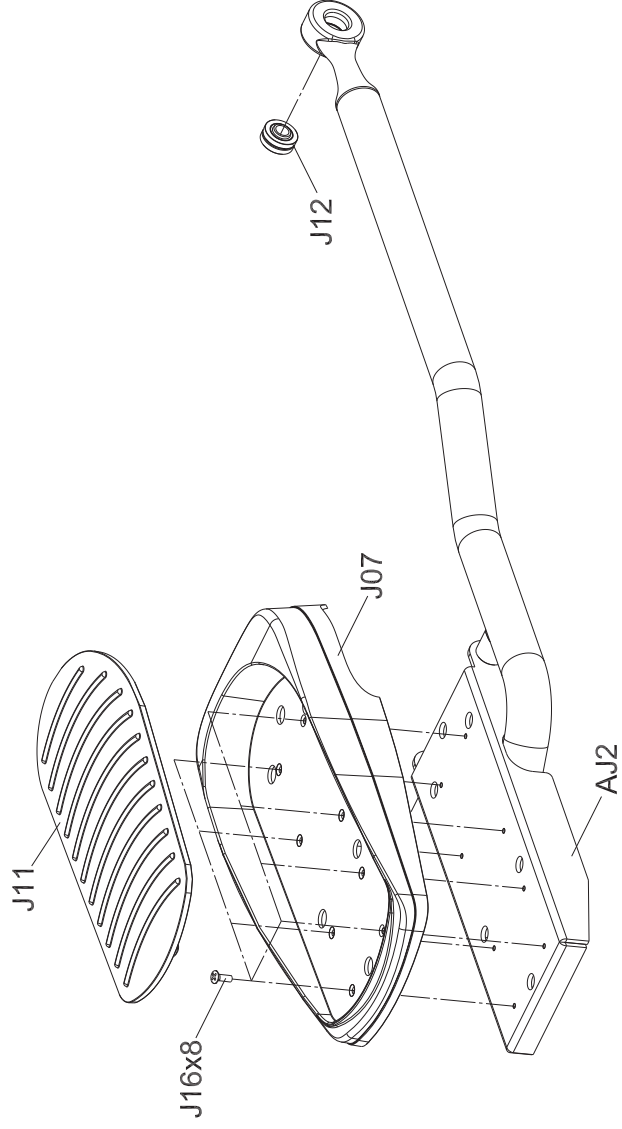
yangweiqian DATE 2013.09.04



DRAWING NO	EP213-A29		
PART NAME	Left Handlebar Set		
PART NO	1000107835	REV	A
APPROVE		DATE	

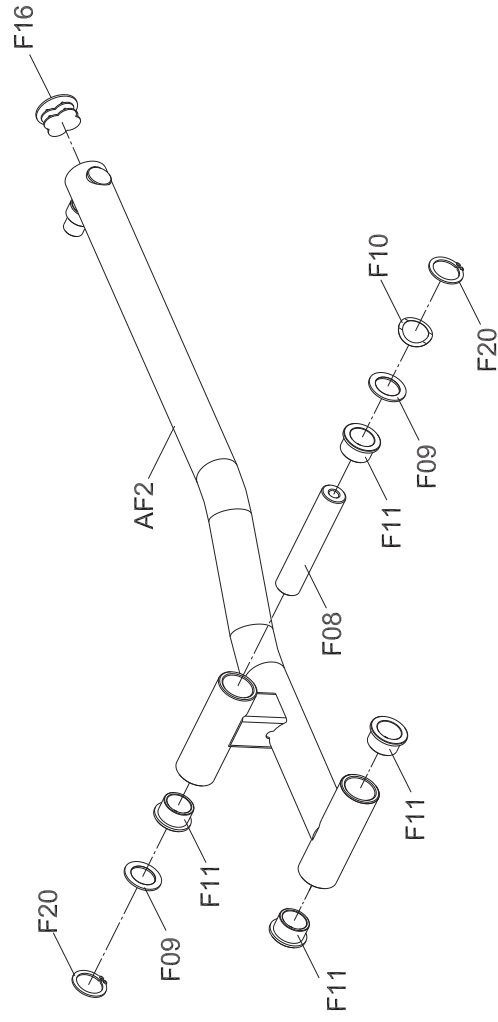


DRAWING NO	EP213-A26		
PART NAME	Right Lower Link Arm Set		
PART NO	1000107832	REV	A
APPROVE		DATE	

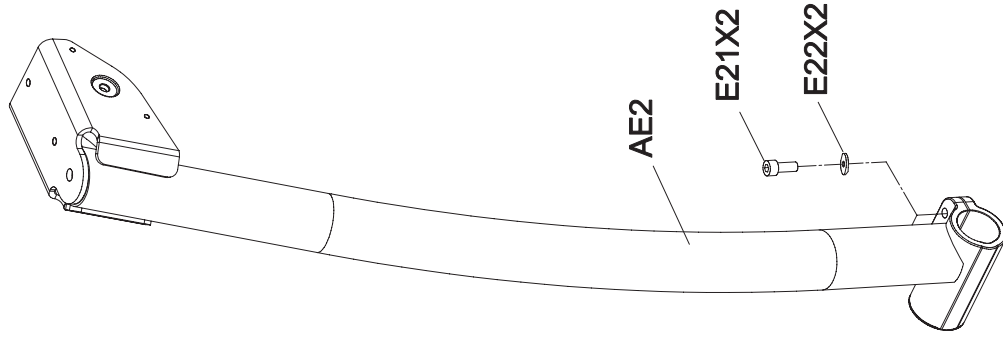




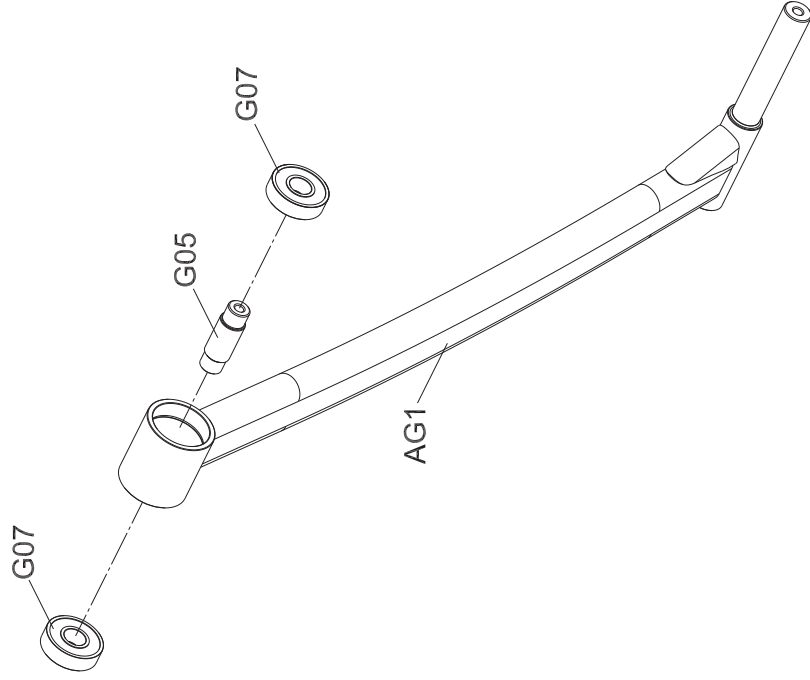
DRAWING NO	EP213-A27	
PART NAME	Right Pedal Arm Set	
PART NO	1000107833	REV A
APPROVE	DATE	



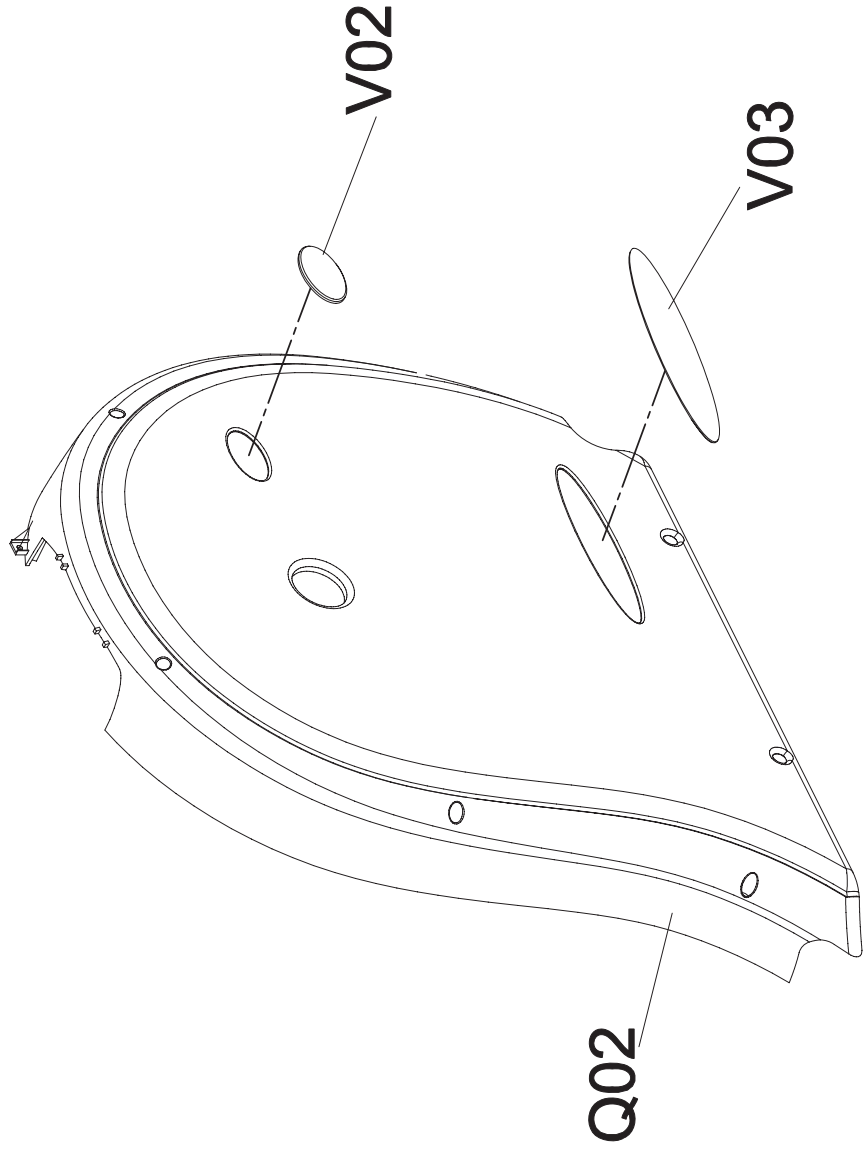
WING NO	EP213-A25		
NAME	Right Incline Arm		
PART NO	1000107831	REV	A
APPROVE		DATE	2013.09.09



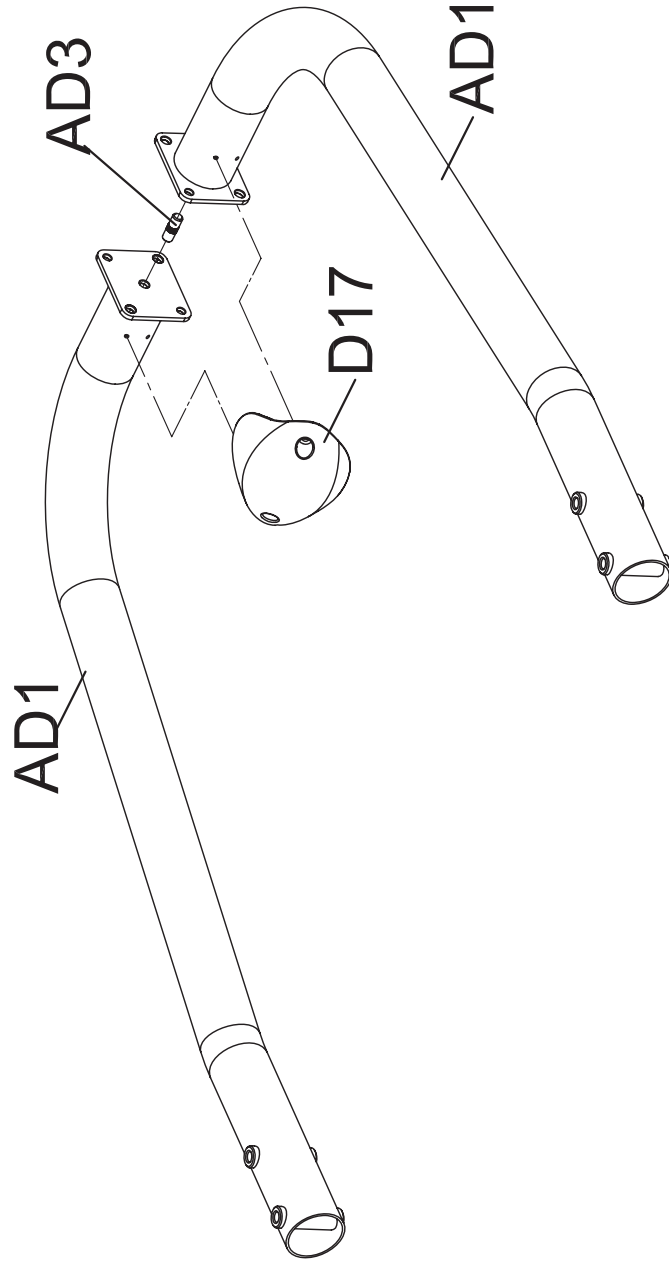
DRAWING NO	EP213-A35	
PART NAME	Hand Arm Set	
PART NO	1000100960	REV A
APPROVE	DATE	



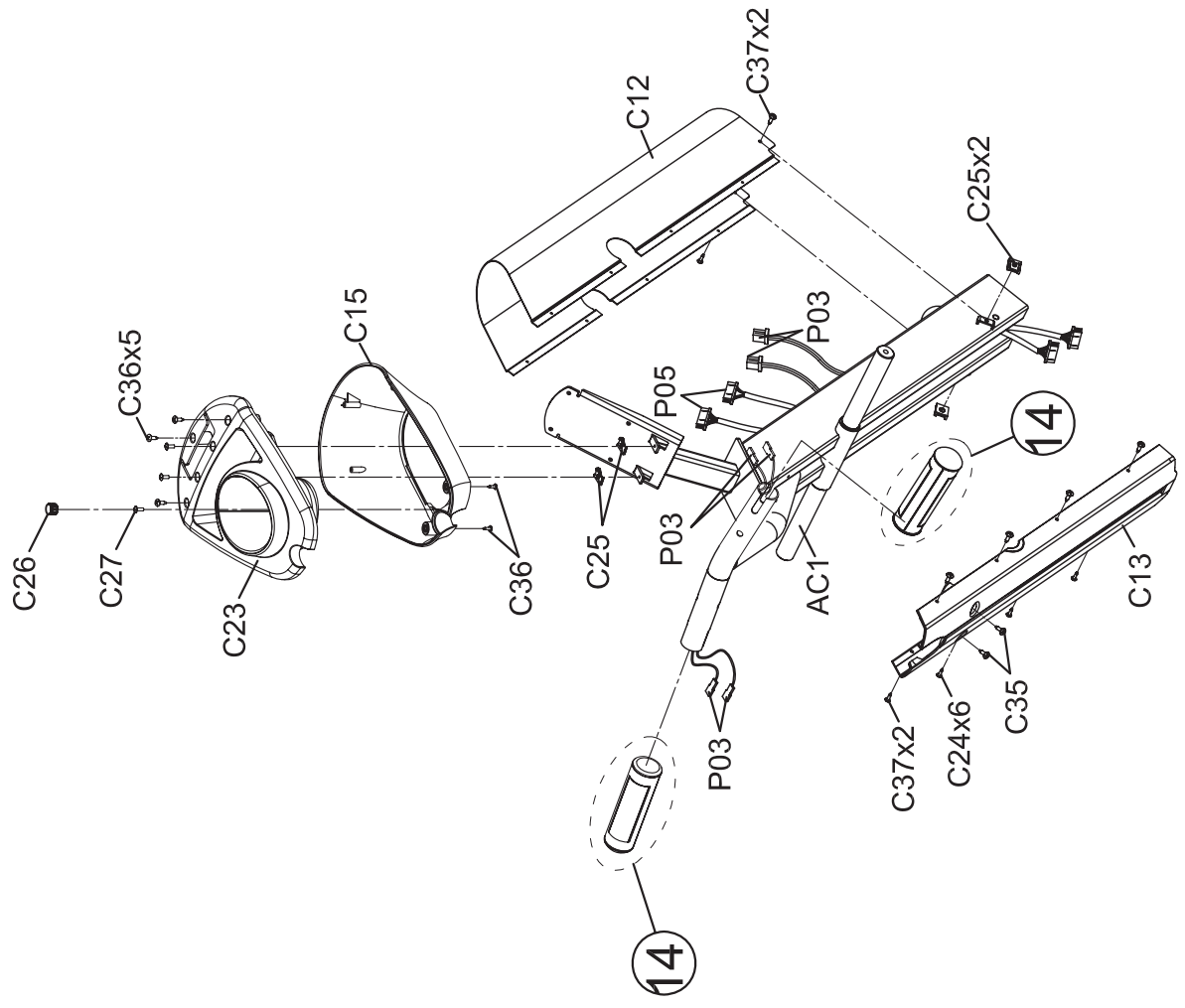
DRAWING NO	EP271C-A14		
TITLE NAME	Right Side Cover Set		
PART NO	1000332440	REV	A
APPROVE	yangweiqian	DATE	2013.09.02



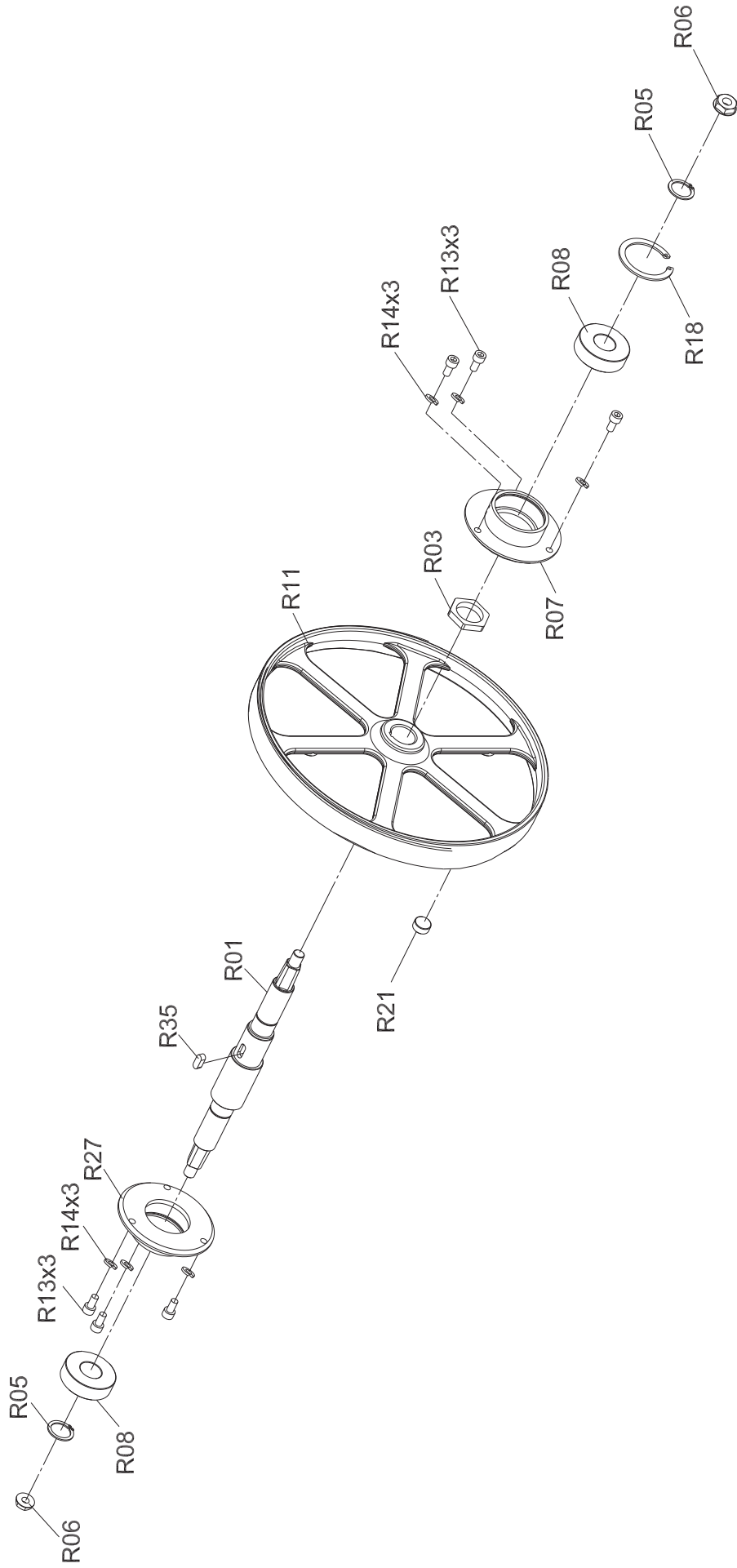
ITEM NO	EP271-A12
ITEM NAME	Top Tube Arm Set
PART NO	1000232484
REV	A
APPROVE	DATE



ITEM NO	EP271-A11
ITEM NAME	Console Mast Set
PART NO	1000232483
REV	A
APPROVE	DATE



DRAWING NO	EP213-A37		
PART NAME	Drive Axle Set		
PART NO	1000204086	REV	A
APPROVE	DATE		



DRAWING NO	EP271-A15	
PART NAME	Elevation Fixing Plate Set	
PART NO	1000232707	REV A
APPROVE	DATE	

