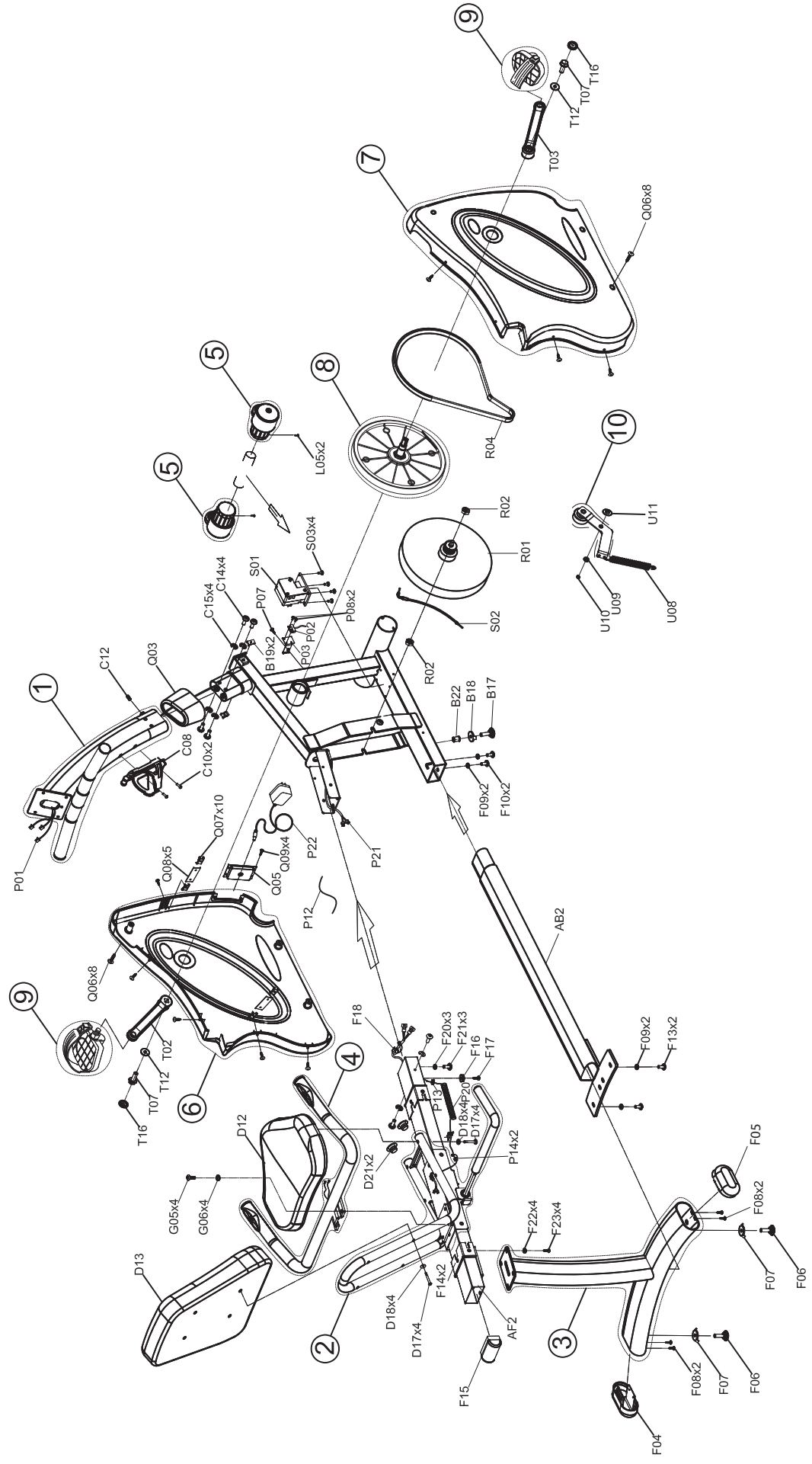
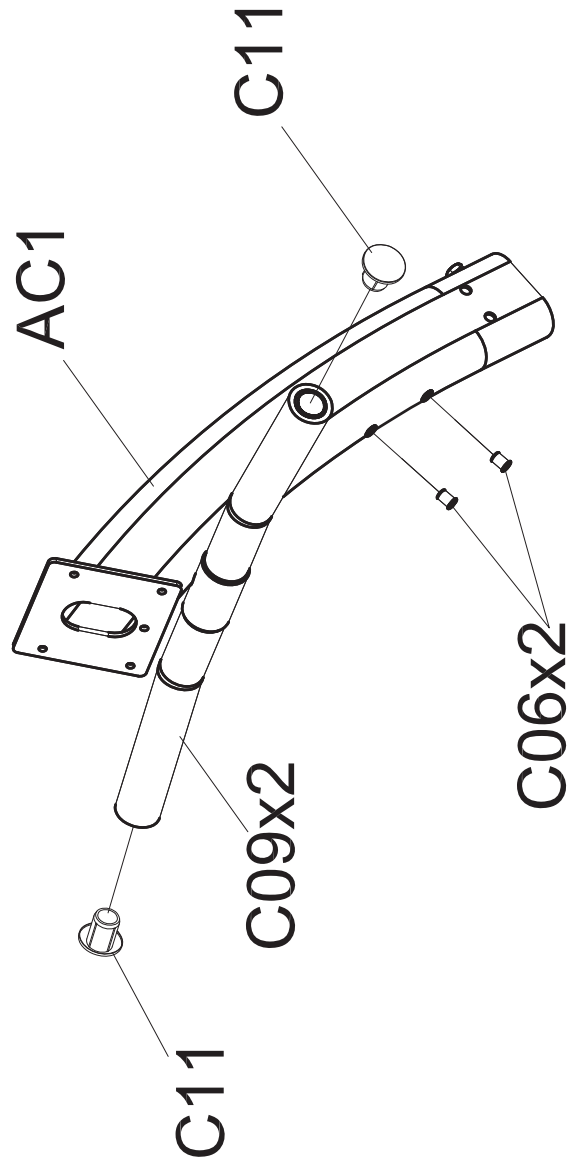


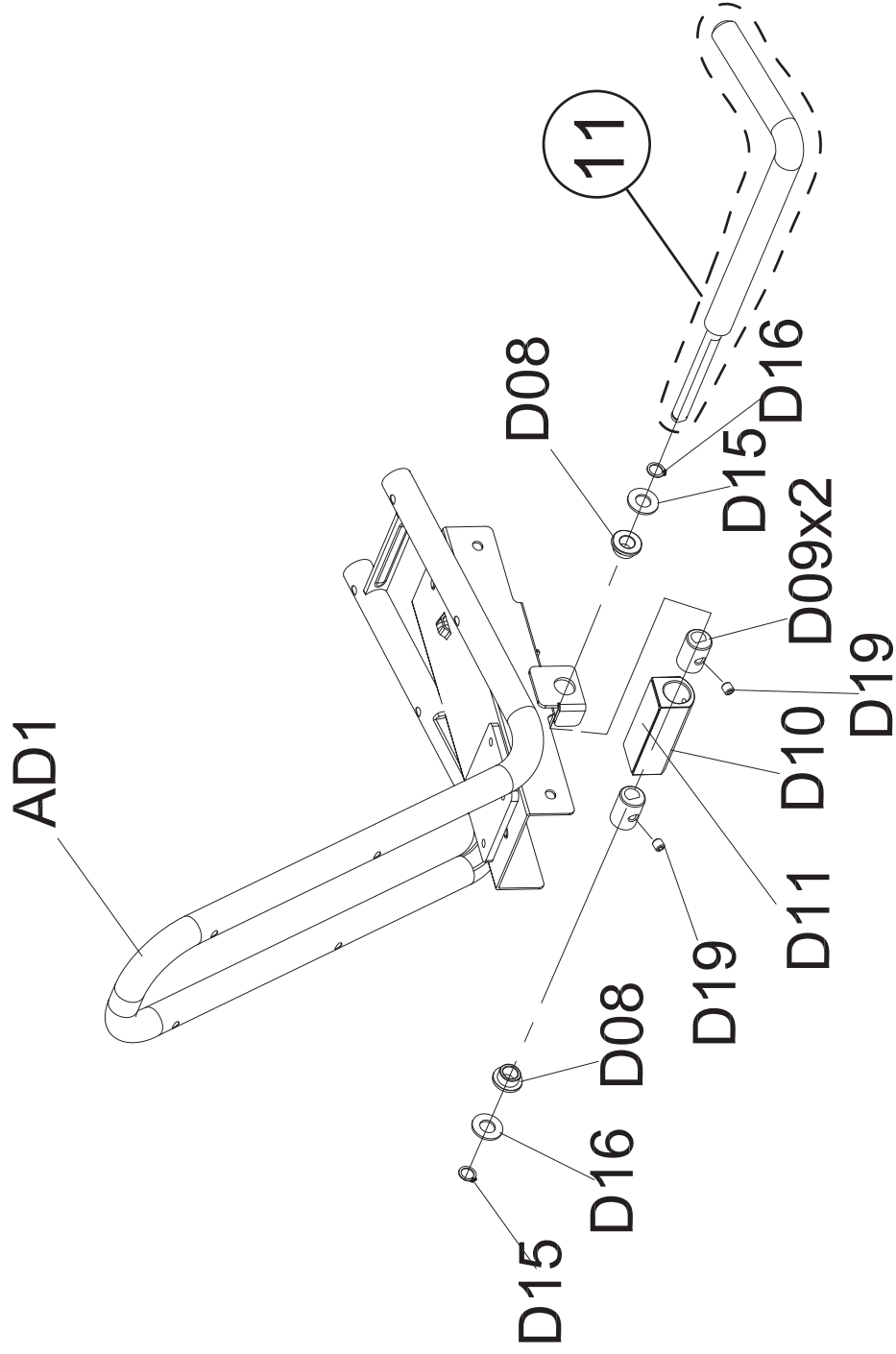
DRAWING NO	PRB153-1US-F
PART NAME	Explosive Drawing
PART NO	VRB0130-00
APPROVE	
DATE	2012.04.03



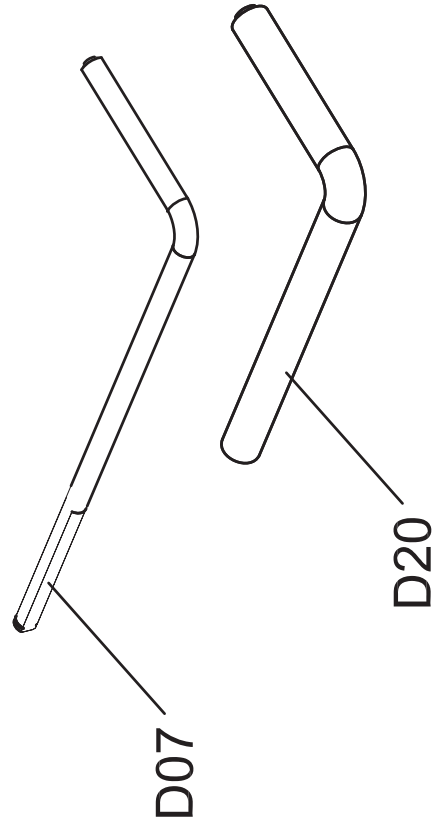
DRAWING NO	RB153-A10		
PART NAME	Console Mast Set		
PART NO	1000231414	REV	A
APPROVE	DATE	2012.03.30	



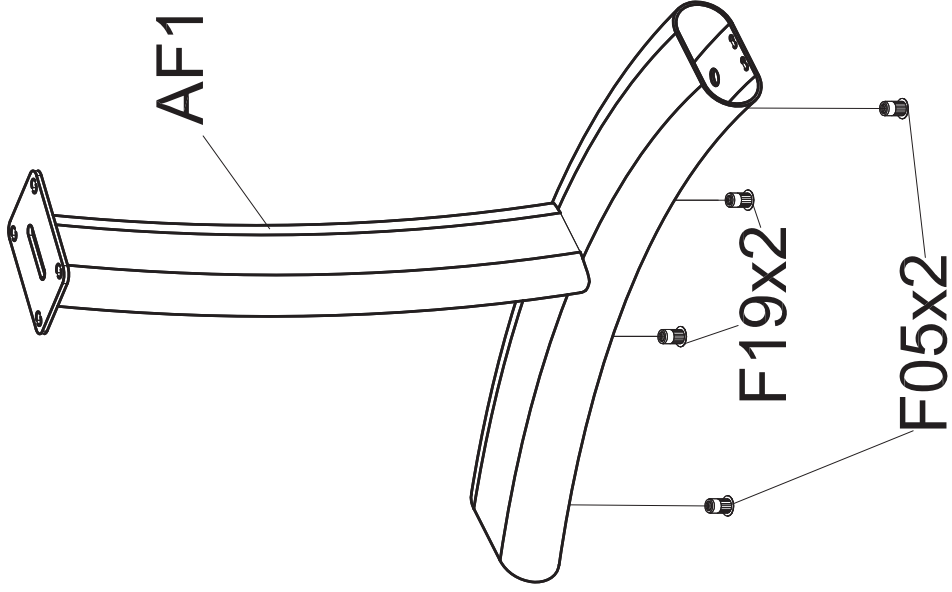
DRAWING NO	RB153-A11		
PART NAME	Seat Pad Guide Base Set		
PART NO	1000231410	REV	A
APPROVE		DATE	2012.04.03



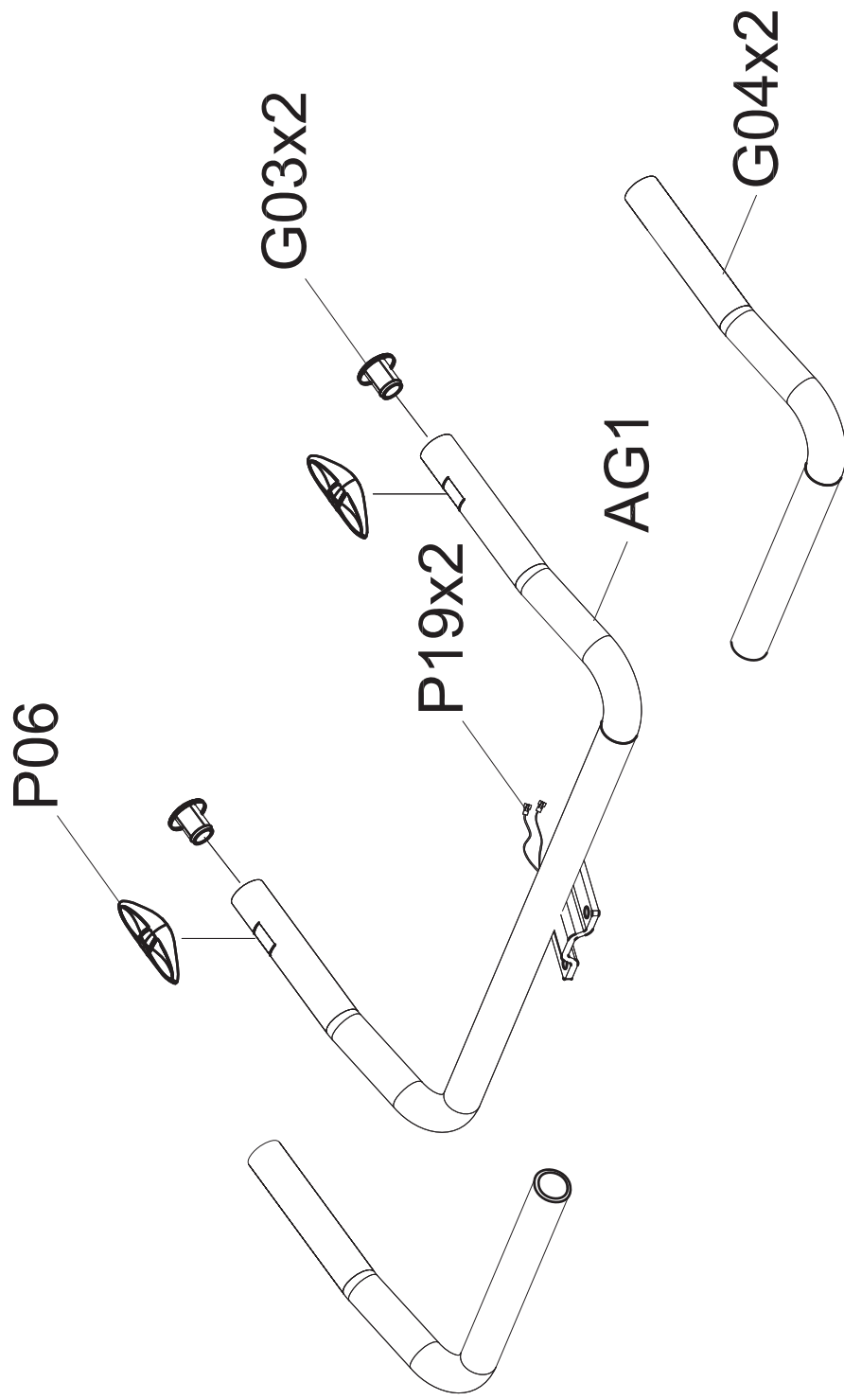
DRAWING NO	RB153-A19		
PART NAME	Pressing Shaft Grip Set		
PART NO	1000231567	REV	A
APPROVE		DATE	2012.04.03



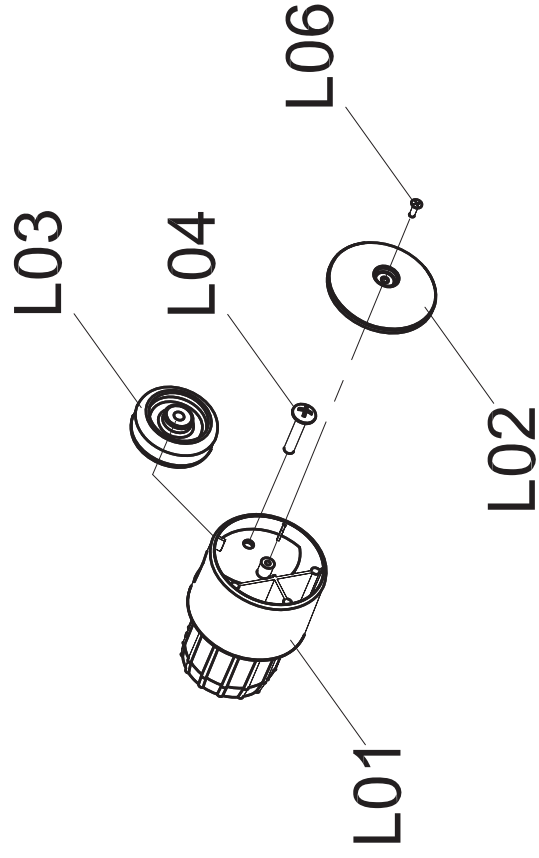
DRAWING NO	RB153-A12
PART NAME	Rear Stabilizer Tube Set
PART NO	1000231411 E/A
APPROVE	DATE 2012.03.30



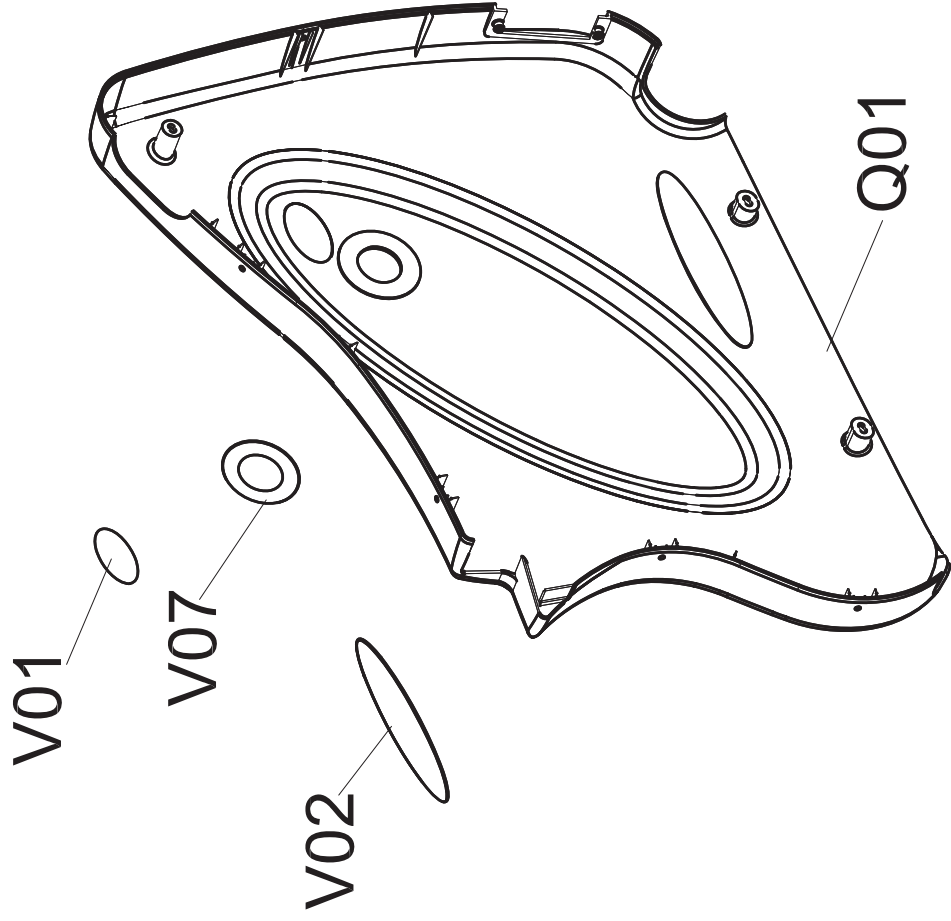
DRAWING NO	RB153-A13		
PART NAME	Seating Washer Handle Set		
PART NO	1000231412	REV	A
APPROVE		DATE	2012.03.30



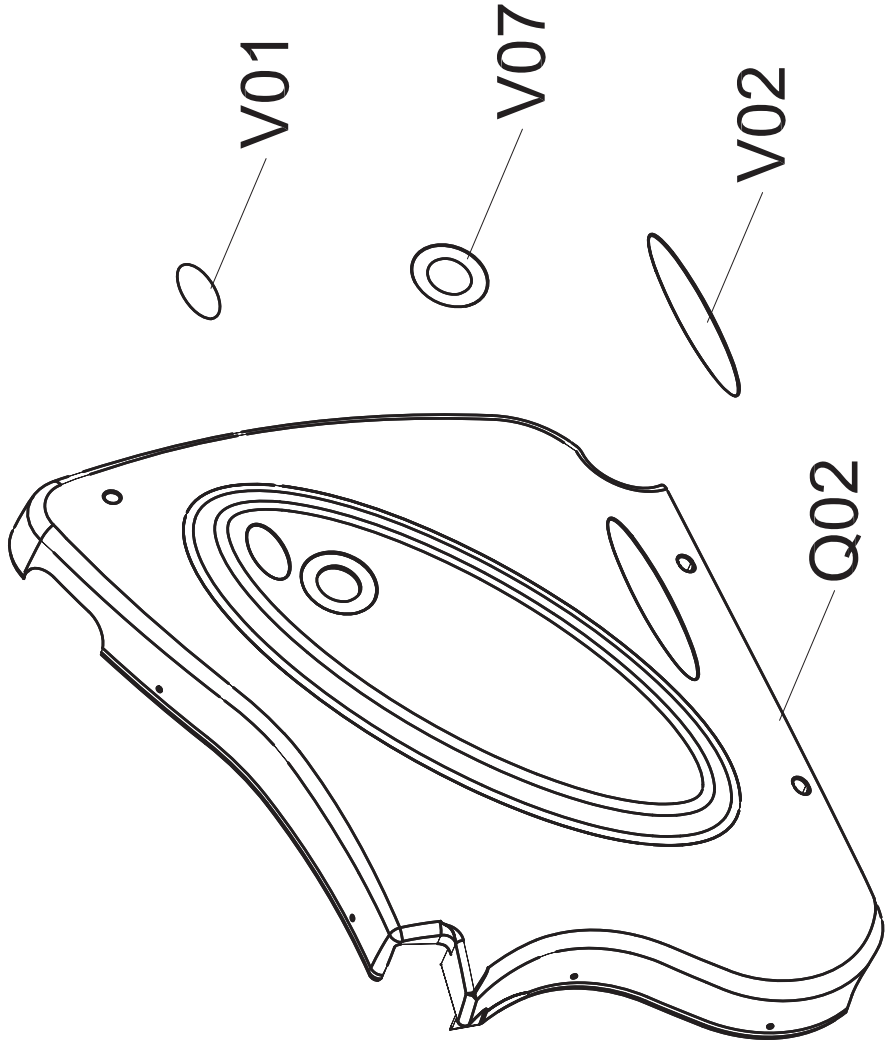
DRAWING NO	RB153-A14
PART NAME	Transport Wheel Set
PART NO	1000231413 ^R / _V A
APPROVE	DATE 2012.03.30



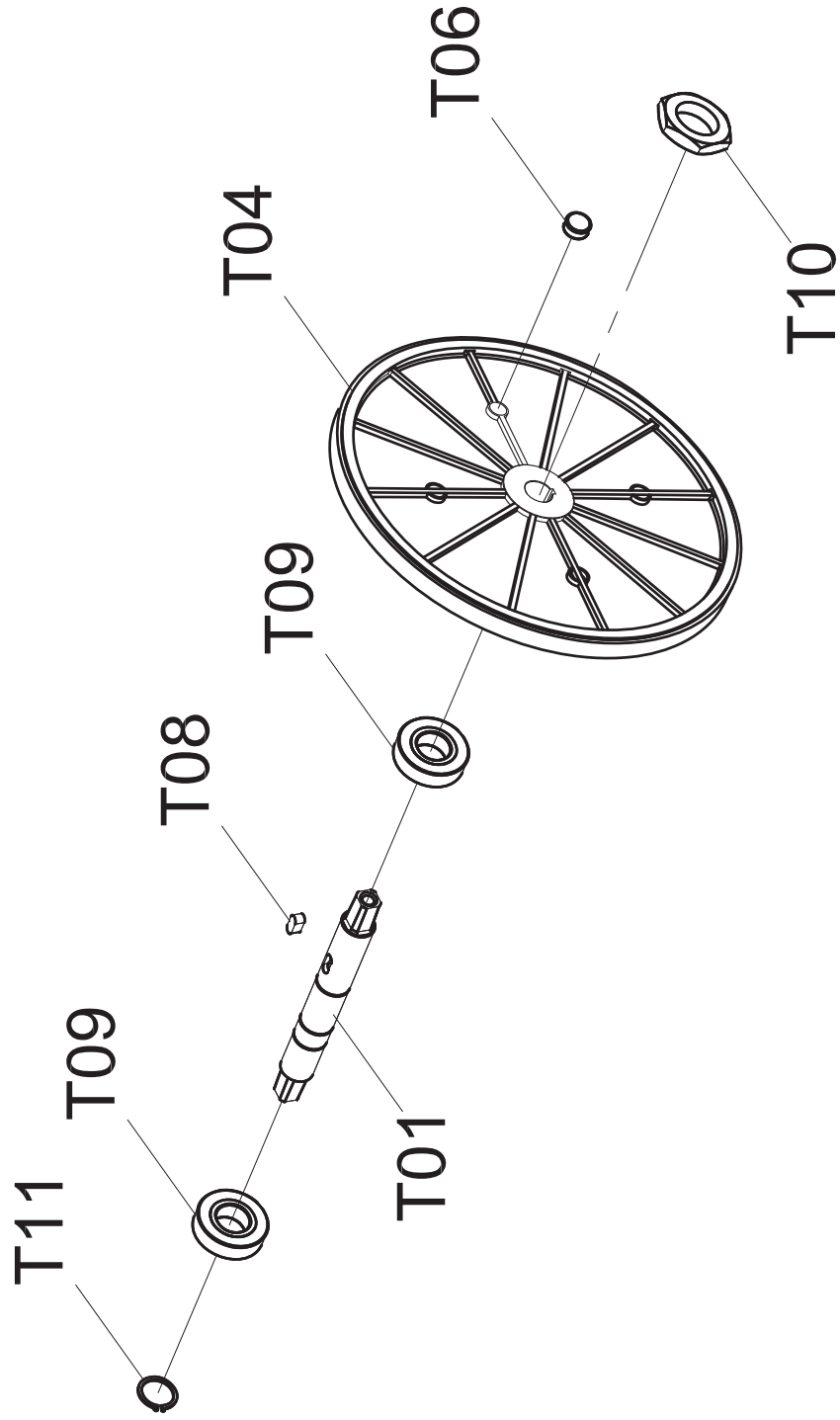
DRAWING NO	RB153-A15		
PART NAME	Left Side Cover Set		
PART NO	1000231415	REV	A
APPROVE		DATE	2012.03.30



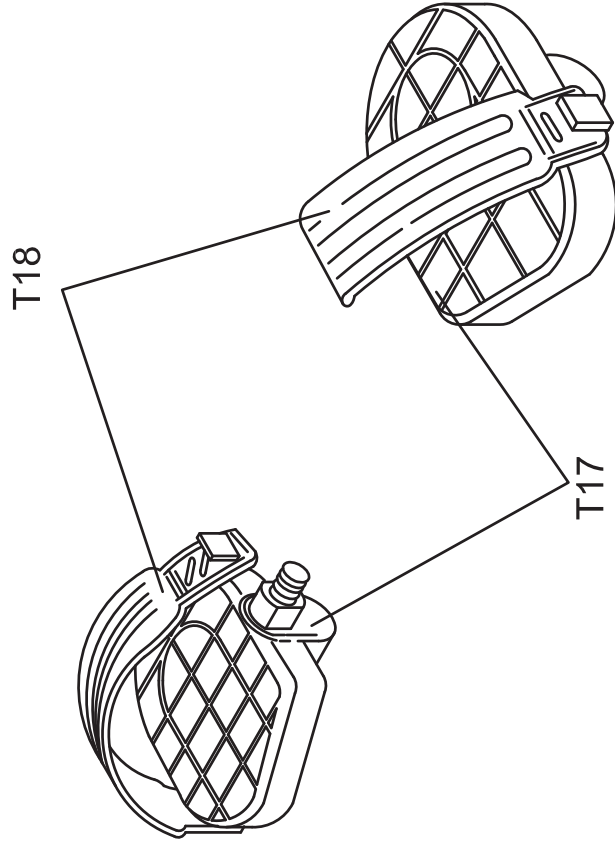
DRAWING NO	RB153-A16		
PART NAME	Right Side Cover Set		
PART NO	1000231418	REV	A
APPROVE		DATE	2012.03.30



DRAWING NO	RB153-A17	
PART NAME	Pedal Set	
PART NO	1000231416	REV A
APPROVE		DATE 2012.03.30



DRAWING NO	CB157-A15		
PART NAME	Foot Pedal Set		
PART NO	1000228989	REV	A
APPROVE		DATE	



DRAWING NO	RB153-A18		
PART NAME	Pressure Wheel Prop Piece Set		
PART NO	1000231417	REV	A
APPROVE		DATE	2012.03.30

