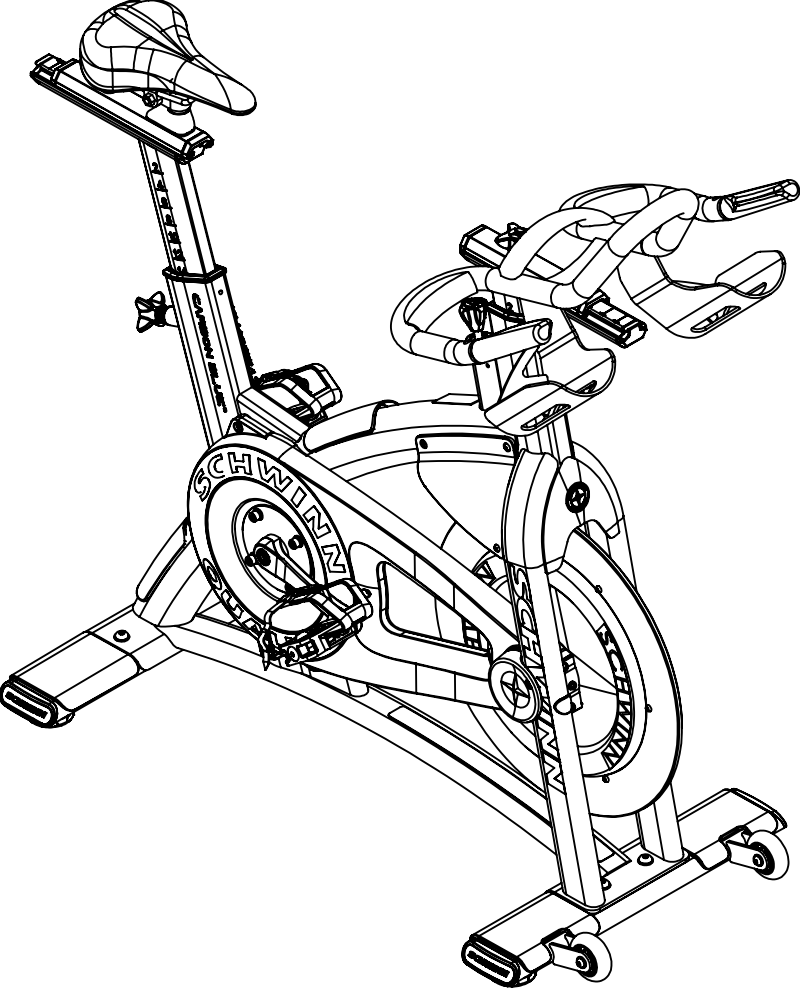
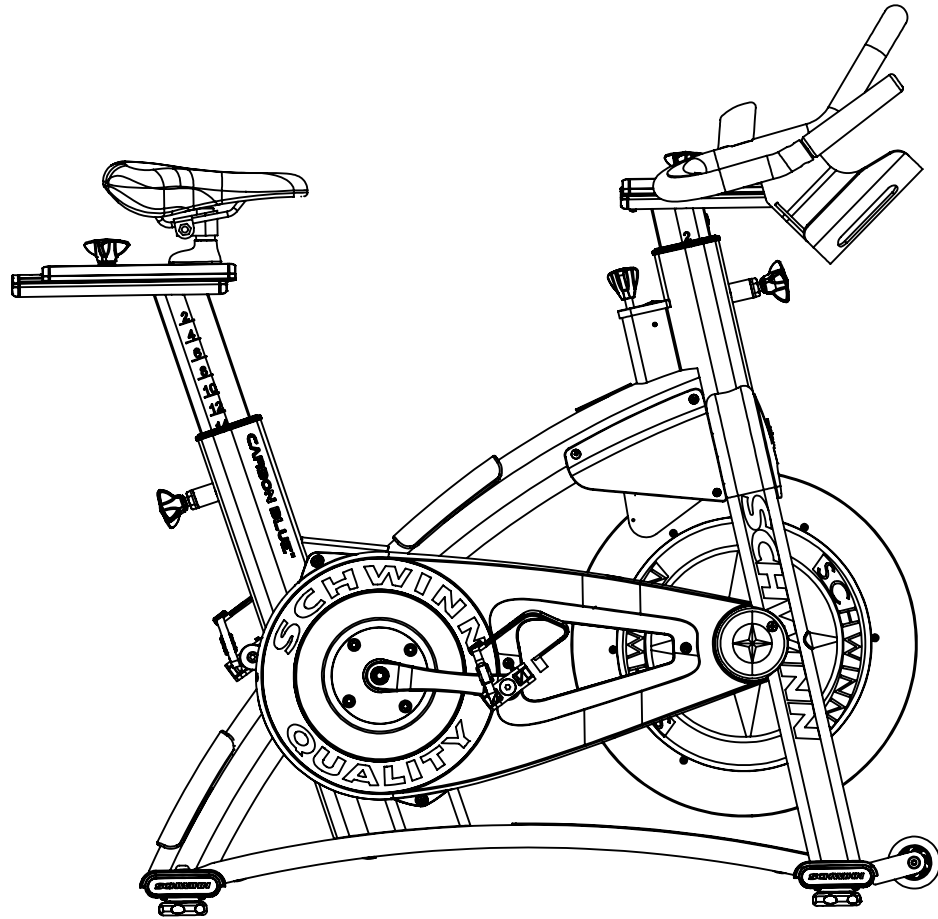
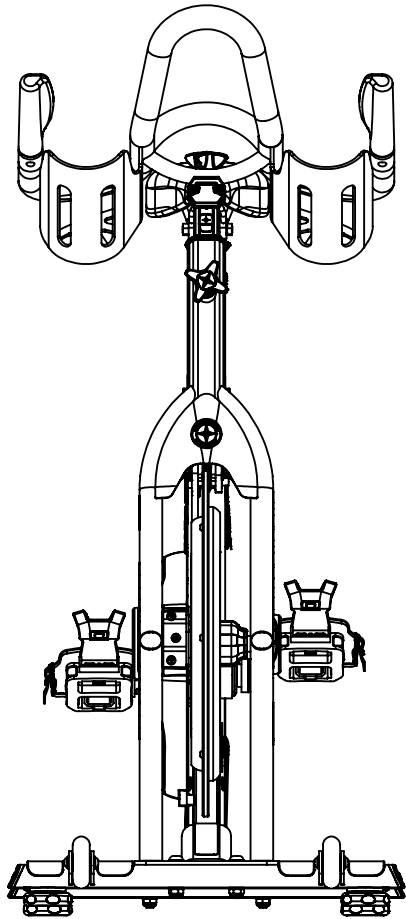
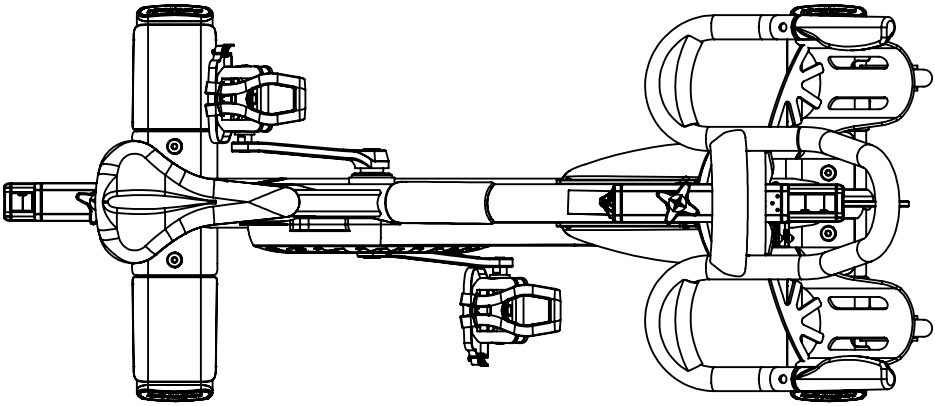


REVISION HISTORY				
REV	DATE	DESCRIPTION	ECO	BY
A	7/25/2013	PRODUCTION RELEASE	14303	OT
B	5/7/2014	REMOVE 000-0037 (OUTER CHAINGUARD), 000-0123 (INNER CHAINGUARD), 002-2787(SLEEVE SPRING CLIP), ADD 740-8701 (OUTER GUARD), 740-8702 (INNER CHAIN GUARD), 050-1955 (WARNING LABEL), 120-3347 (SLIDER KNOB WASHER), 120-3346 (POP PIN WASHER), 000-0198(HANDLEBAR PLUG)	14666	OT



DOCUMENT STATUS:

NOTICE OF PROPRIETARY INFORMATION
THIS DOCUMENT SHALL NOT BE REPRODUCED NOR SHALL THE INFORMATION CONTAINED HEREIN BE USED BY OR DISCLOSED TO OTHER EXCEPT AS EXPRESSLY AUTHORIZED BY CORE HEALTH & FITNESS, LLC.

CLASS OF WORK	UNLESS OTHERWISE SPECIFIED DIMS ARE IN mm. TOLERANCES FOR MEASURE OF LENGTH ARE:							ANGLES = ±2°
	0.5 to 3	> 3 to 6	> 6 to 30	> 30 to 120	> 120 to 400	> 400 to 1000	> 1000 to 2000	
FINE	±0.05	±0.05	±0.1	±0.15	±0.2	±0.3	±0.5	----
MEDIUM X	±0.1	±0.1	±0.2	±0.3	±0.5	±0.8	±1.2	±2
COARSE	±0.2	±0.3	±0.5	±0.8	±1.2	±2	±3	±4
VERY COARSE	----	±0.5	±1	±1.5	±2.5	±4	±6	±8

MATERIAL
SEE BOM

FINISH
N/A

VENDOR:

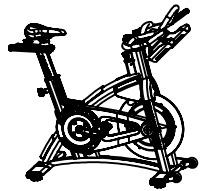
P/N:

THIRD ANGLE PROJECTION		
	INITIAL	DATE
DRAWN	OT	7/25/2013
CHECKED		
APPROVED		
	U.O.M.	MM

CORE HEALTH & FITNESS, LLC 4400 NE 77th Ave., Suite 300 Vancouver, WA 98662		
CORE PART NO	REV	
000-0166	B	
TITLE ASSY, BIKE, ACPP BELT		
SCALE: 1:50	SHEET 1 OF 7	SHEET SIZE: B

ITEM NO.	PART NUMBER	DESCRIPTION	QTY.
1	902-5550	SCW-RHP M5x0.8x12 SS	6
2	002-2765	SLEEVE, SEAT POST/HANDLEBAR ASSY	2
3	000-0107	NUT, M6x1.0, SFL, SS	2
4	002-2265	POP PIN ASSEMBLY, SCHWINN	2
5	000-0036	SWEATGUARD, LEFT, ASSY	1
6	000-0035	SWEATGUARD RIGHT ASSY	1
7	000-0111	PLUG, 13.5MM	3
8	740-8691	PAD, STRETCH, ACPV TOP TUBE, ABS	2
9	000-0113	PLUG, TENSION BOLT, RIGHT	2
10	000-0119	STRETCH PAD, BOTTOM BRACE, ACPV	1
11	000-0135	PAD, RUBBER, BRAKE BUMPER, SAC	1
12	001-0731	M5 RIVNUT	10
13	000-0019	FRAME, ACPV, ASSY	1
14	000-0043	PAD, FEET PROTECTOR, WITH ADHESIVE	2
15	001-0055	STABILIZER REAR ALUMINUM WDMT	1
16	000-0136	END CAP, STABILIZER	4
17	740-7656	FEET, LEVELING, SPINNER	4
18	000-0137	SCREW, PHT, M4 X 10,SS	8
19	001-0055	STABILIZER, FRONT, ALUMINUM, WDMT	1
20	000-0141	PAD, STABILIZER	2
21	001-0688	ASSEMBLY, TRANSPORT WHEEL	2
22	740-7097	BOLT, WHEEL, NXT	2
23	740-7187	SCREW, M6X1.25X10, BHC, HE, SS	2
24	902-6065	WSH-FLAT M8 REGULAR SS	4
25	000-0097	SCHWINN QUALITY BADGE, 65 MM	1
26	000-0150	HANDLEBAR ASSY, SAC	1
27	000-0085	SEAT ASSEMBLY	1
28	902-6065	WSH-FLAT M8 REGULAR SS	8
29	902-4172	NUT NL M10-1.5 SS	4
30	902-5050	SCW-BHCS M10x1.5x50 SS	4
31	003-5551	FORK DECAL (PERFORMANCE)	1
32	000-0120	STICKER, SERIAL NUMBER, ACPV2	1
33	000-0096	SCHWINN QUALITY BADGE, 40 MM	1

ITEM NO.	PART NUMBER	DESCRIPTION	QTY.
34	000-0172	FLYWHEEL,ASSY,SAC BELT	1
35	003-1508	ISIS BB, 68X113 MM	1
36	002-2780	LEFT CRANK ARM, ISIS	1
37	000-0011	PEDAL, SET, SCHWINN	1
38	000-0170	CRANK, PULLEY, ASM, SAC BELT	1
39	000-0168	PULLEY, REAR, SAC BELT BIKE	1
40	000-0169	CRANK ARM, DRIVE, 4 BOLT ISIS	1
41	740-7825	WASHER, 8.4MM ID x 16MM OD x 1.6 THK	4
42	740-7167	WASHER, LOCK, SPLIT, M6	4
43	731-0379	SCREW,M8 X1.25,20mm,SHC,HK	4
44	80044	CRANK BOLT 8MM HEX FOR ISIS	2
45	000-0171	BELT, TIMING, GATES, 1440 8M	1
46	740-8702	SAC CHAINGUARD INNER	1
47	000-0102	CHAIN TENSION BLOCK	2
48	000-0106	SCREW, M6x1.0x60, HHM, SS	2
49	000-0115	COVER, CHAIN TENSIONER LEFT	1
50	000-0149	SCREW, M5X0.8 X 12, TRUSS HEAD, SS	2
51	902-5550	SCW-RHP M5x0.8x12 SS	8
52	740-8701	ASSY,CHAINGUARD,OUTER,SAC	1
53	000-0099	SCREW, PHP, M5x0.8x25, SS	3
54	000-0100	COVER, RIGHT DROP OUT	1
55	000-0098	BRAKE ADJMENT HOUSING ASSY	1
56	000-0124	BRAKE ADJUSTMENT CAP	1
57	001-0750	ASSEMBLY, BRAKE CARRIAGE	1
58	902-5701	SCW-SHCS M10-1.5x45 SS	1
59	003-8569	TORSION SPRING, BRAKE	1
60	902-4182	NUT HEX M10 - 1.5 SS	1
61	001-0535	THREADED BRAKE ADJUSTMENT NUT	1
62	001-0540	LINK, BRAKE ADJUSTMENT SIDE	2
63	001-0541	BRONZE BUSHING, BRAKE ADJUSTMENT LINK	4
64	902-4986	SCREW, PHP, M4x0.7x10, SS	4
65	050-1955	LABEL, WARNING, COMM, SPINNERS	1
66	740-8698	DECAL, AC CARBON BLUE	2

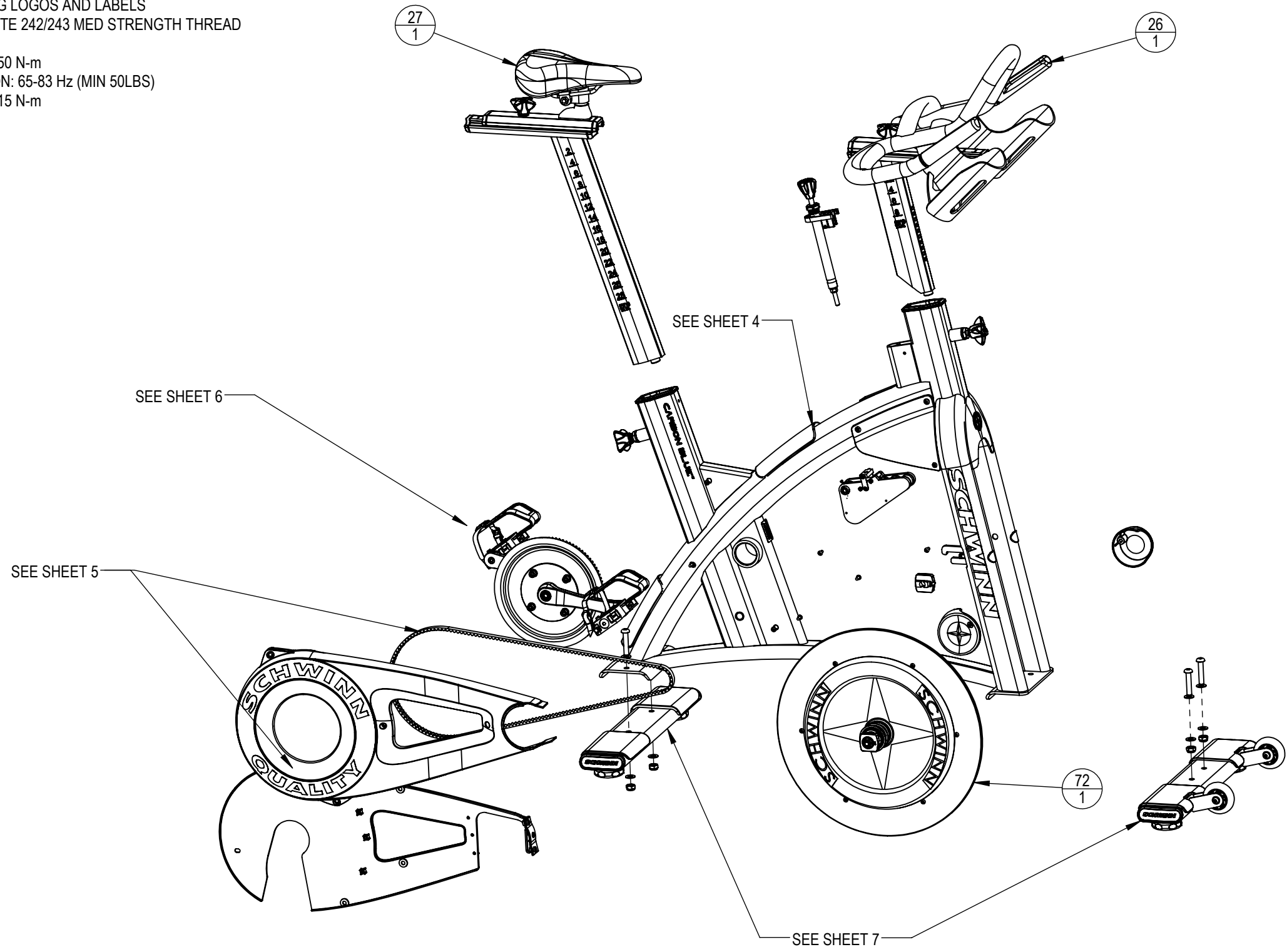


CORE HEALTH & FITNESS, LLC
4400 NE 77th Ave., Suite 300
Vancouver, WA 98662

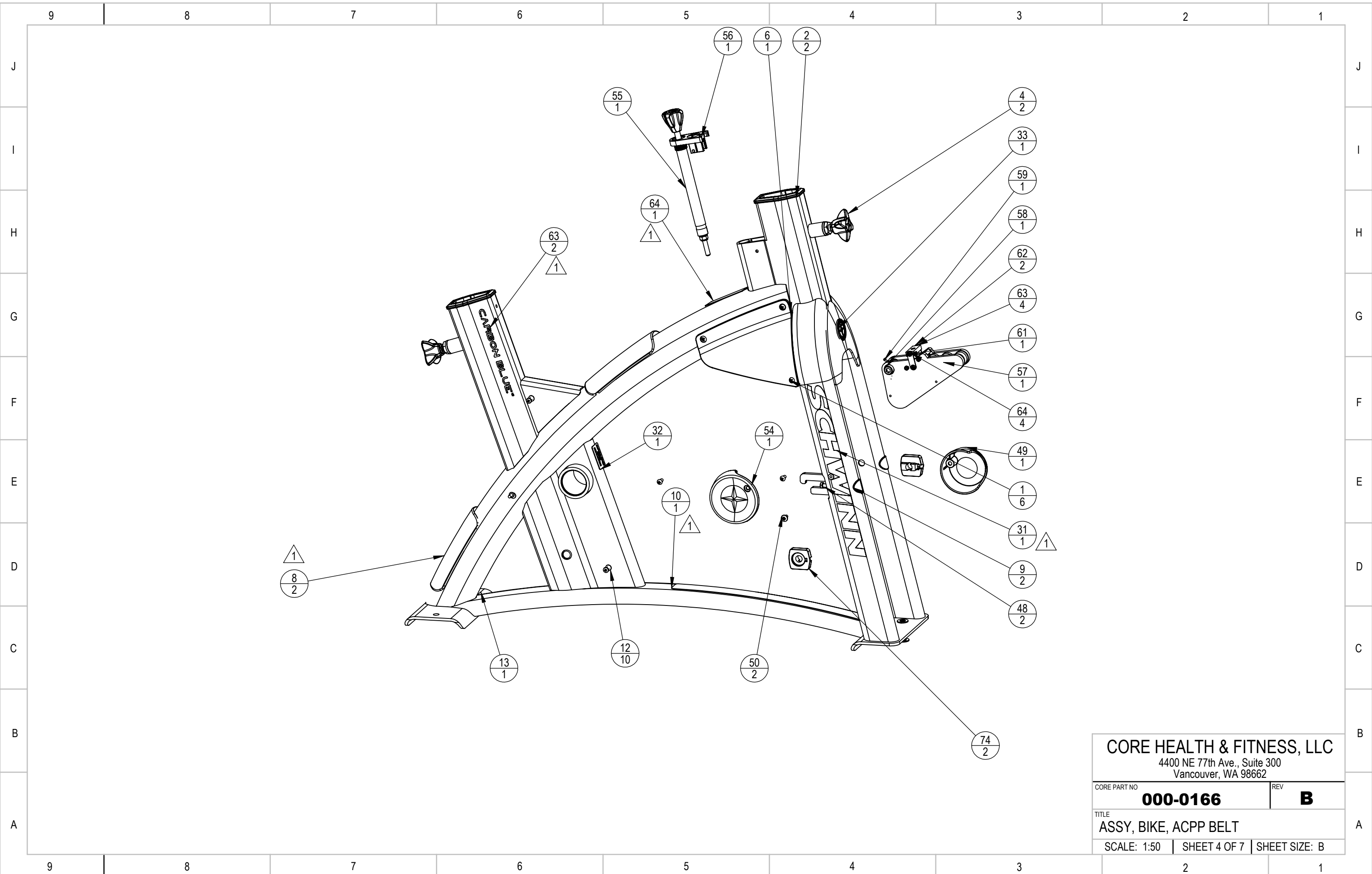
CORE PART NO	000-0166	REV	B
TITLE ASSY, BIKE, ACPV BELT			
SCALE: 1:50	SHEET 2 OF 7	SHEET SIZE: B	

NOTES:

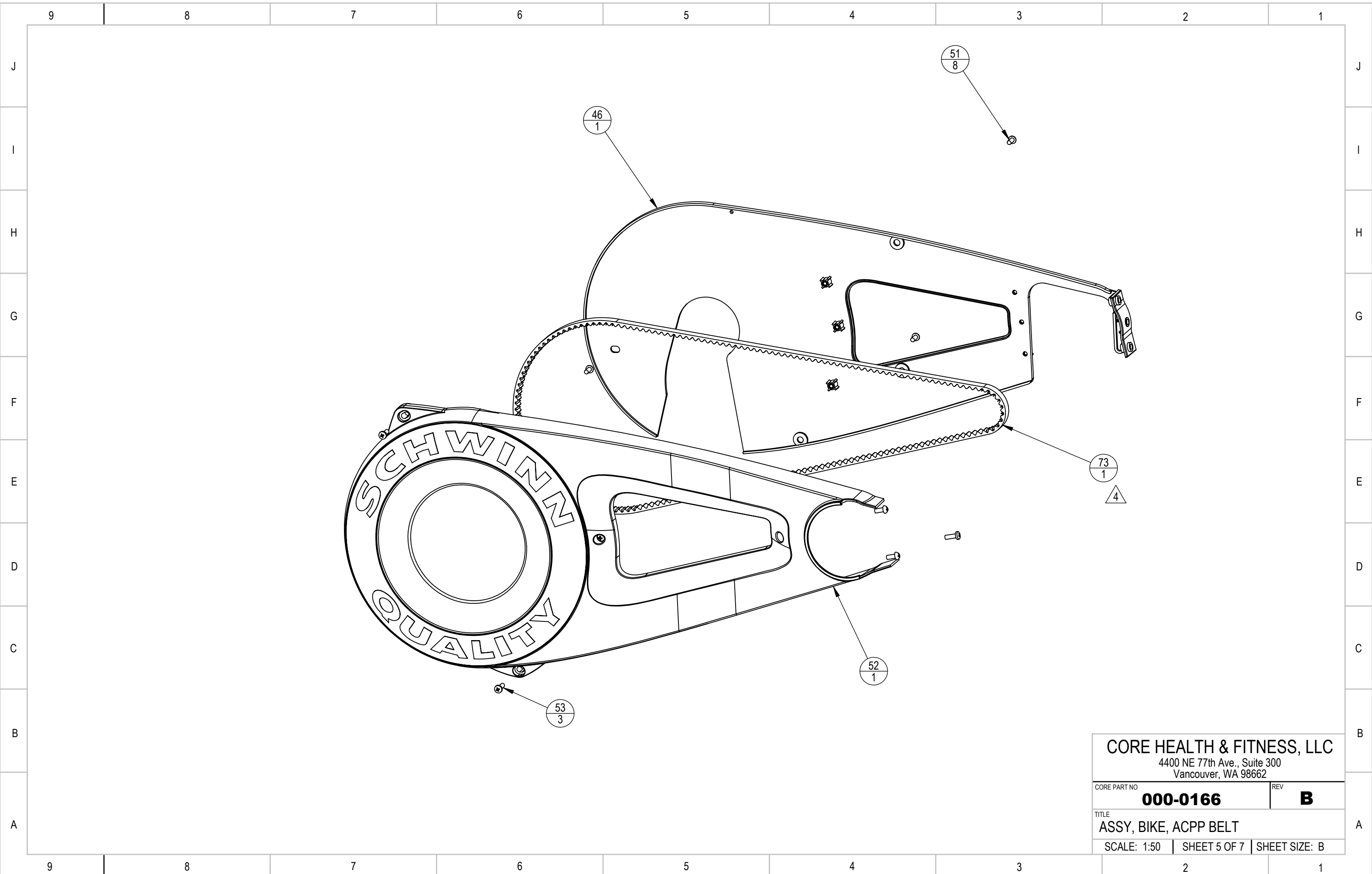
1. CLEAN AREAS WITH DENATURED ALCOHOL PRIOR TO ADHERING LOGOS AND LABELS
2. APPLY LOCTITE 242/243 MED STRENGTH THREAD LOCKER
3. TORQUE TO 50 N-m
4. BELT TENSION: 65-83 Hz (MIN 50LBS)
5. TORQUE TO 15 N-m



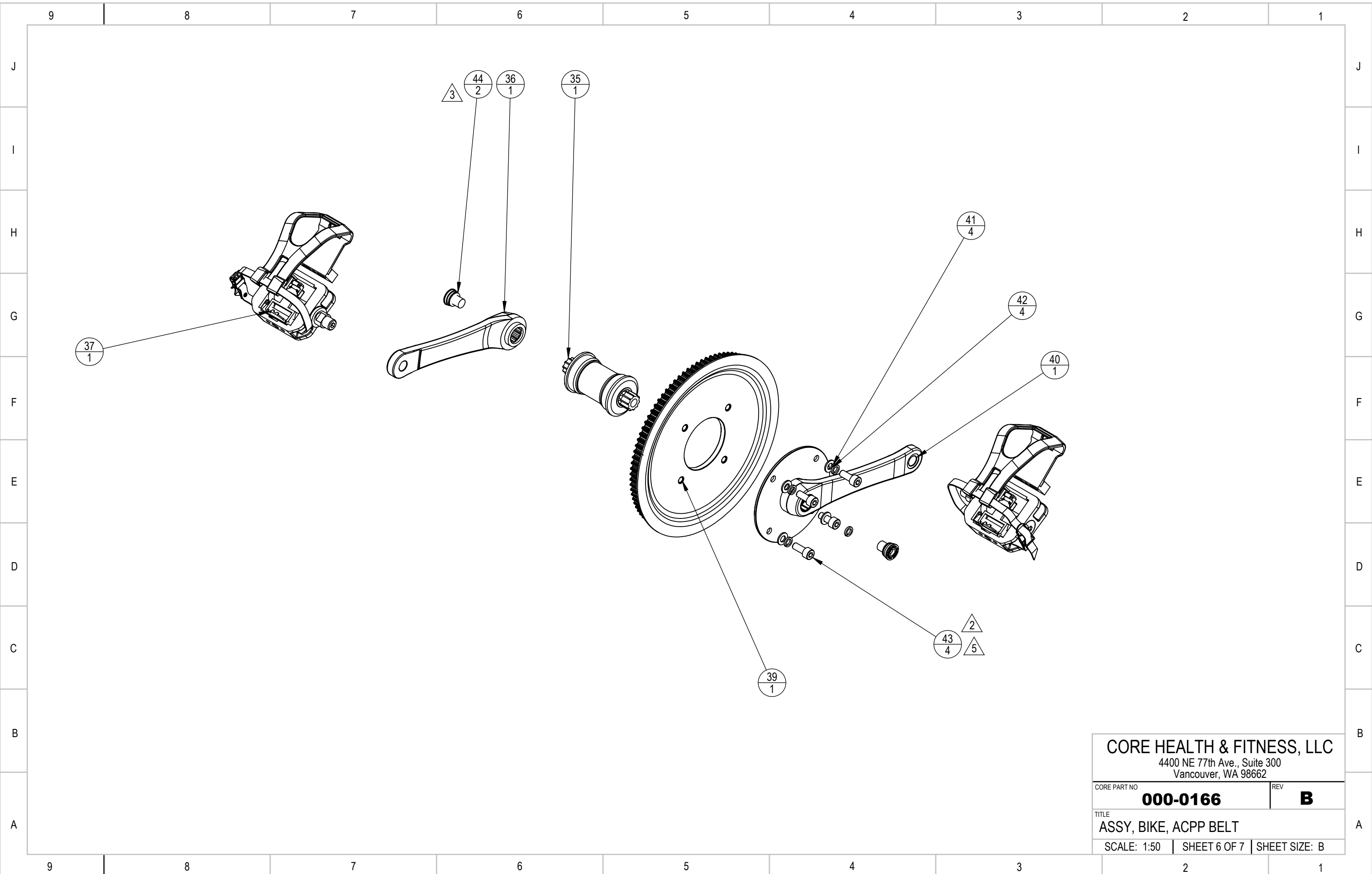
CORE HEALTH & FITNESS, LLC 4400 NE 77th Ave., Suite 300 Vancouver, WA 98662		
CORE PART NO	000-0166	REV B
TITLE ASSY, BIKE, ACPP BELT		
SCALE: 1:50	SHEET 3 OF 7	SHEET SIZE: B



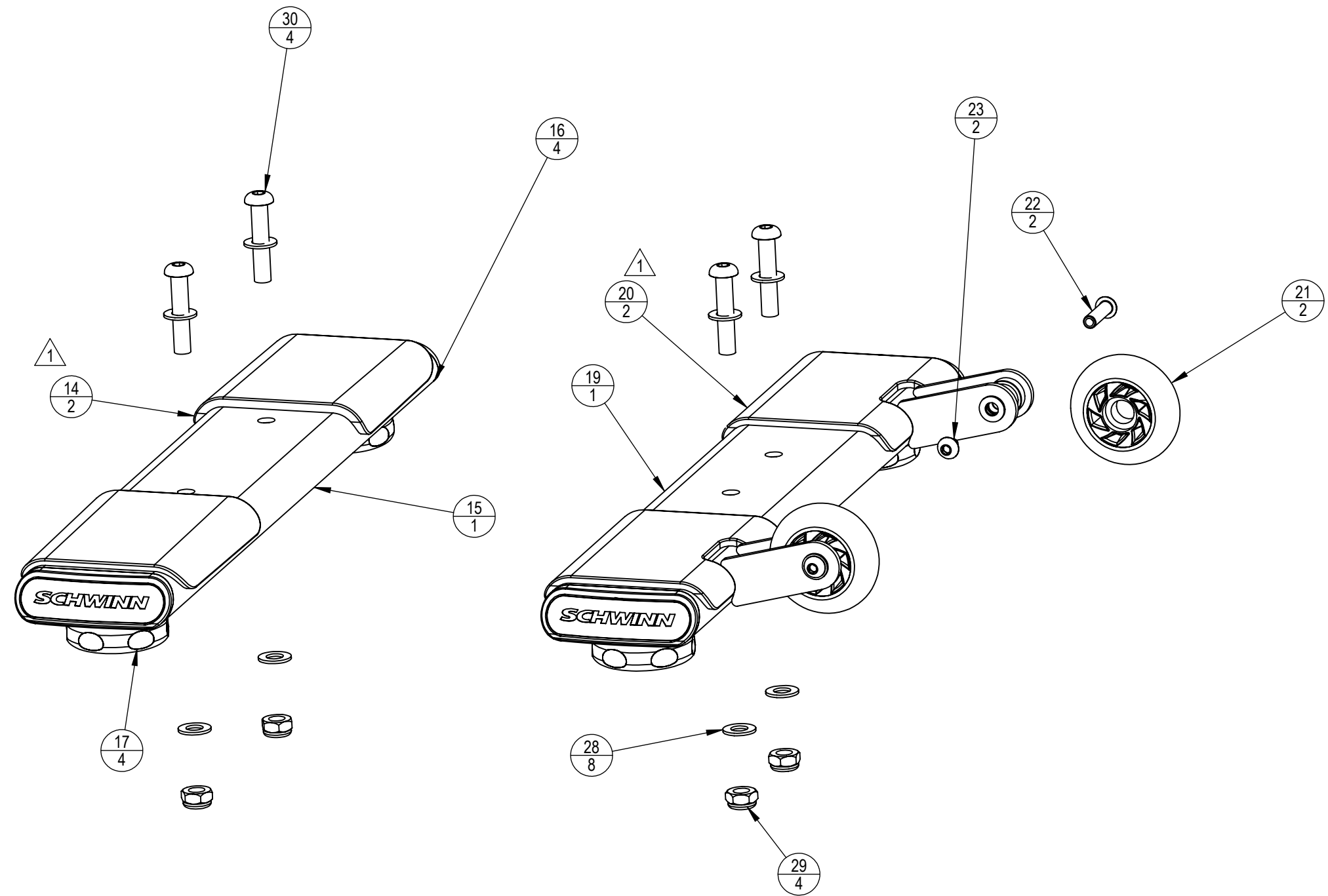
CORE HEALTH & FITNESS, LLC 4400 NE 77th Ave., Suite 300 Vancouver, WA 98662		
CORE PART NO	000-0166	REV B
TITLE ASSY, BIKE, ACPP BELT		
SCALE: 1:50	SHEET 4 OF 7	SHEET SIZE: B



CORE HEALTH & FITNESS, LLC 4400 NE 77th Ave., Suite 300 Vancouver, WA 98662		
CORE PART NO	000-0166	REV B
TITLE ASSY, BIKE, ACPP BELT		
SCALE: 1:50	SHEET 5 OF 7	SHEET SIZE: B



CORE HEALTH & FITNESS, LLC 4400 NE 77th Ave., Suite 300 Vancouver, WA 98662		
CORE PART NO	000-0166	REV B
TITLE ASSY, BIKE, ACPP BELT		
SCALE: 1:50	SHEET 6 OF 7	SHEET SIZE: B



CORE HEALTH & FITNESS, LLC 4400 NE 77th Ave., Suite 300 Vancouver, WA 98662		
CORE PART NO	000-0166	REV B
TITLE ASSY, BIKE, ACPP BELT		
SCALE: 1:50	SHEET 7 OF 7	SHEET SIZE: B